

workspace
commercial furniture

Make ————— Space ————— Work

Oscar Bariatric



SYDNEY ————— MELBOURNE ————— ADELAIDE ————— CANBERRA ————— BRISBANE

www.workspace.com.au



Oscar Bariatric

The Oscar Bariatric Chair combines elegant design with robust construction, specifically tailored for aged care applications. This chair is designed to offer both aesthetic appeal and exceptional support, making it a valuable addition to aged care facilities.

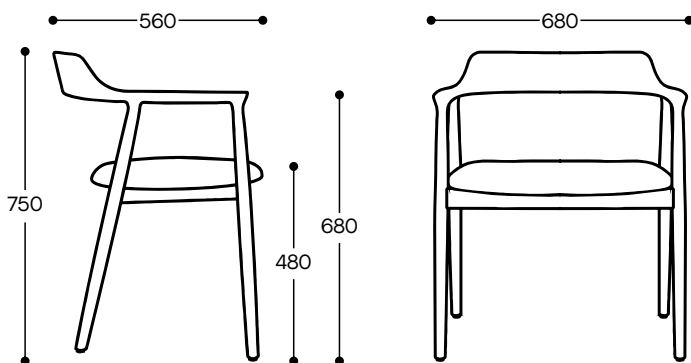
Featuring a solid American White Ash frame, the Oscar Bariatric Chair is available in both natural and custom-stained finishes. Its visible wood grain textures add warmth and character, while the leather or fabric upholstery options provide a touch of luxury. The chair's design incorporates delicate curves and contours to enhance comfort, ensuring a pleasant seating experience for users.

The Oscar Bariatric Chair is equipped with bespoke upholstery and Dunlop's world-class foam padding, offering superior durability and support. Its sturdy construction and high-quality materials ensure that it can withstand the rigors of daily use in aged care environments, while maintaining its stylish appearance.

Overall, the Oscar Bariatric Chair delivers a harmonious blend of functionality and elegance, making it an ideal choice for aged care settings where comfort, support, and aesthetic value are paramount.



Dimensions:



SPECIFICATIONS

Options:

- Upholstered seat
- Upholstered seat & backrest

Features & Finishes:

- Solid White Ash frame
- Clear (natural) finish as standard
- Stained options available on request
- Two tone fabric selection available for upholstered seat and backrest
- Available in a wide range of fabric, leather or vinyl

Warranty:

- 10 years