

workspace

commercial furniture

Make _____ Space _____ Work

Lockers



SYDNEY — MELBOURNE — ADELAIDE — CANBERRA — BRISBANE

www.workspace.com.au

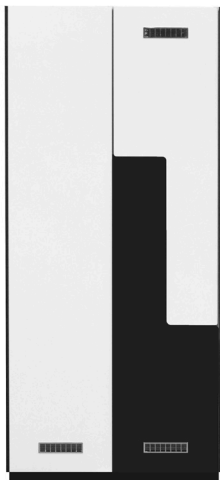


Lockers

In the modern workplace end of trip facilities are becoming a necessary standard feature providing staff with a place to recover, refresh and reset. No end of trip (EOT) facility is fully equipped without adequate storage and what better way to meet your EOT needs than with the Workspace Commercial Furniture locker range.

Made from quality materials and components, the Workspace locker range provides a storage solution that is strong and reliable, capable of withstanding the rigours of usage and exposure to its surrounding environment whilst providing a safe and secure storage option.

With a number of customisable options and configurations, including materials, finishes and accessories; the Workspace Locker Range ensures that every need can be catered for making them the perfect solution for all EOT fitouts.



SPECIFICATIONS

Range:

Standard Locker - Suitable for office environments
Premium Locker - Suitable for wet/outdoor areas

Features:

Shelving*
Front and Rear Ventilation*
Hanging Rail*
Hat/Coat Hook*
*On selected configurations (see table)

Standard Dimensions:

Plinth Height: 100mm
Locker Height (excluding plinth): 1800mm
Width: 400mm
Depth: 500mm

All panels are 16mm thick. Backs are set in by 16mm
Front panel allowance is 20mm after considering bumpers and hinges
To calculate inner dimensions consider all panels/shelves/partitions and subtract from outer dimensions

Standard Finishes - Suitable for office environments

Door Options - 18mm Laminex Melamine White 200 - Standard
Other colour options available on request

Carcass - 16mm Laminex Decortext - White only

Edging - Edging will be colour matched accordingly

Premium Finishes - Suitable for Wet Areas

Door Options - 13mm Laminex Multipurpose Compact Laminate
16mm Laminex Melamine colour palette - Solid Colours

Other range & colour options available on request

Carcass - 16mm V-Lite - White only

Edging - Edging will be colour matched accordingly

Optional Extras:

Custom configurations and sizing available on request
Non-standard finishes available on request

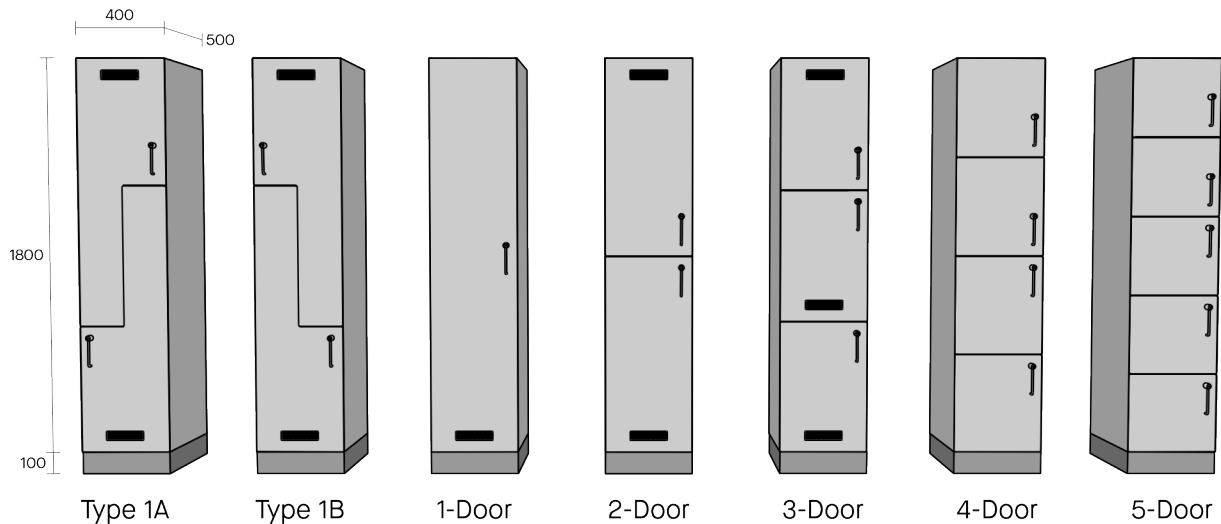
Warranty:

5 years

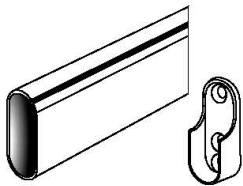


Configurations and Standard Features:

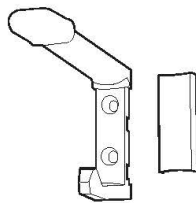
Locker Type	Locker Description	Door Height	Standard Features
Type 1 (A and B)	Z-Door	1150mm	Front and Rear Ventilation and Coat Hook
1-Door	Single Door	1800mm	Front and Rear Ventilation, 2 Fixed Shelves and Hanging Rail
2-Door	Double Door	900mm	Front and Rear Ventilation and Hanging Rail
3-Door	Three Door	600mm	Front and Rear Ventilation
4-Door	Four Door	450mm	
5-Door	Five Door	360mm	



Accessories (Available on request):



Wardrobe Rail and Support



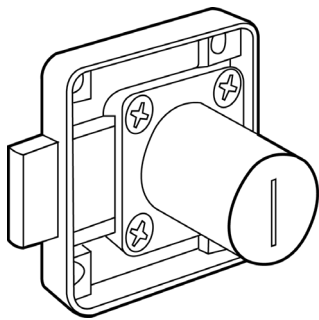
Concealed Coat Hook

LOCK OPTIONS

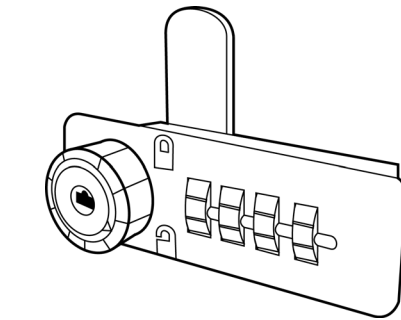
Locks

Hafele locks available upon request
Customer specified locks can be accommodated upon request

Standard Locking Systems



SYMO Dead Bolt Rim Lock and Handle
(standard option)



4-Digit Combination Lock (on request)



Optional Locking Systems

Kinect XLOCK Range

- Access using pinpad, RFID cards/tags and/or bluetooth
- Wireless technology
- LED Light indicator
- Booking system using smart phone app
- Multi-user compatible
- Master keycard compatible
- Remote administrator control access

